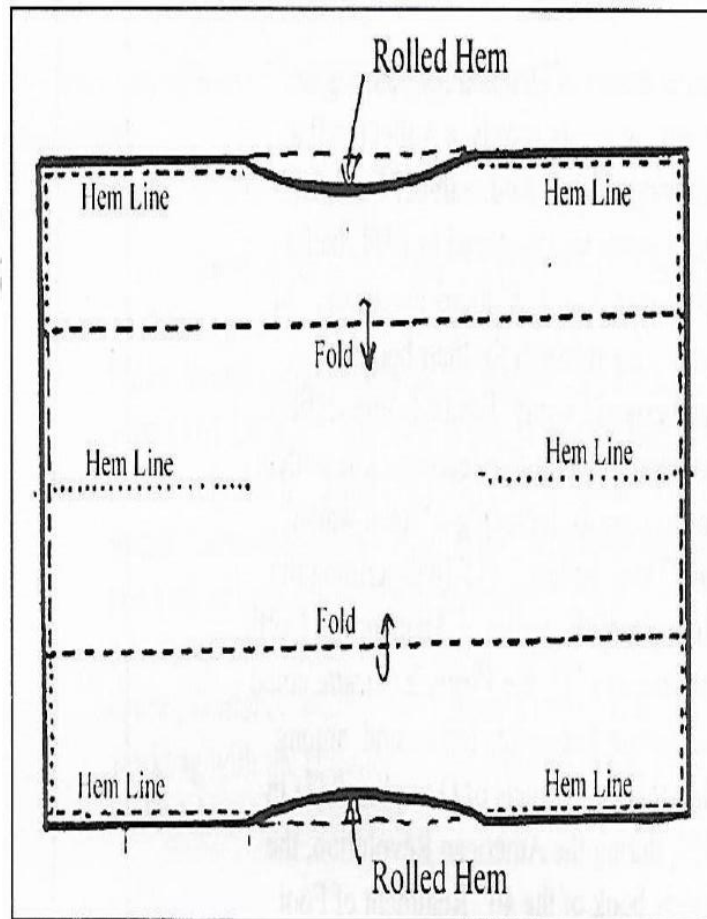
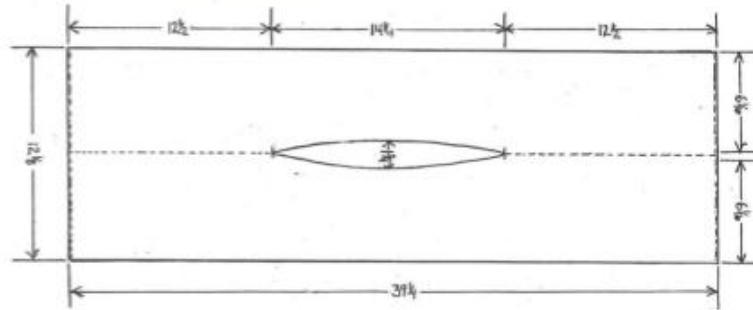


Greatcoat Sling Appendix III: Wallet for Blanket Roll

Greg Renault

Personal effects were carried in a bag with centre opening called a wallet. These were popular in Europe and North America in the 17th and 18th centuries, and occurred in various sizes depending on the items to be transported.



Drawing of an original linen wallet from Lancaster County, Pennsylvania, in the collections of the Moravian Museum of Bethlehem. The wallet is made of a single piece of natural linen with a cream to light brown color. It is of equal, plain weave, approximately 31 warps and 31 wefts per inch. Overall dimensions are 12-1/8" x 39-1/4". The end and center seams are felled on the inside and have approximately 1/4" seam allowance. The slit is 14-1/4" long and 1-3/4" wide at its mid-point. Its edges are rolled and hemmed.¹

Smaller wallets were used to contain the personal effects in a blanket roll, as indicated in the 1777 entry to the orderly book of the 40th Regiment of Foot:

Each Compy. Will Immediately receive...26 slings and Wallets to put the quantity of necessareys Indendd. To be Carrid. To the field Viz 2 shirts 1pr. Of shoes & soles 1pr. Of stockings 1 pr. Of socks shoe Brushes black ball &c....(the must be packd. In the Aranged manner & the Blankets done neatly round very little longer than the Wallets) to be Tyed. Very Close with the slings near the end...²

RE the abovementioned "slings" in a 1762 return:

*A Bayonet and Scabbard
A Tomahawk, and Cover
A Cartridge Pouch ...
Containing 24 Cartridges
Brush & Wire, Worm & Turnkey, Oyl Bottle & Rag
2 Flints and a Steel
A Knapsa[ck] with Strap, and Buckles
Containing 2 Shirts, 2 Stocks, 2 Pair Stockings
A Pair Summer Breeches
A Pair Shoes
A Clothes Brush, pair Shoe Brushes, & a Black Ball
A Pair ... [of] Garters, A Hankerchief
2 Combs, a Knife, & Spoon
A Haversack, with a Strap Containing Six Days Provisions
A Blanket with Strap & Garters [i.e., a long strap and two short belts]
A Canteen with a String & Stopper, full of Water³*

¹ Charles LeCount, "The Linen 'Market' Wallet," *ALHFAM Bulletin* (Association for Living History, Farm and Agricultural Museums), vol. XXX, no. 3 (Fall 2000), 10-13. [https://www.academia.edu/35919524/Charles_LeCount_The_Linen_Market_Wallet_ALHFAM_Bulletin]

² George Washington Papers, Series 6B, Volume 1, British Orderly Book, 20 April 1777 to 28 August 1777. Library of Congress. Cited in LeCount, 12.

³ "Return of the Weight for the Cloathing, Arms, Accoutrements ... Necessary's &Ca of a Grenadier, upon a March," Arthur Baillie, lieutenant, to Henry Bouquet, colonel, 28 August 1762, Henry Bouquet, *Papers of Col. Henry Bouquet*, series 21648, part 2 (Harrisburg: Pennsylvania

Historical Commission, 1940), 77-78. Cited in Juhn U. Rees, “ ‘An Account of some things I carried ... in my Pack.’ The Continental Soldier's Burden in the American War for Independence,” [<https://www.scribd.com/document/340889214/An-Account-of-some-things-I-carried-in-my-Pack-The-Continental-Soldier-s-Burden-in-the-American-War-for-Independence>].

Toronto
October 2019

